



AUDIO engineering society

Containing the Activities and Papers of the Society, and published monthly as a part of AUDIO ENGINEERING Magazine

OFFICERS

Theodore Lindenberg, President

J. D. Colvin... Executive Vice-Pres. John G. Frayne... Western Vice-Pres.
 Norman C. Pickering... Secretary Ralph A. Schiegel... Treasurer

Audio Engineering Society,
 Box F, Oceanside, N. Y.

Longitudinal Noise in Audio Circuits—Part 2

H. W. AUGUSTADT* and W. F. KANNENBERG*

A discussion of the general effect of the presence of longitudinal noise on a transmission circuit, with a description of the differences between metallic circuit noise and longitudinal noise. Test circuits and representative conditions are illustrated and discussed.

Experience shows that, in general, neither a longitudinal noise voltage nor a current can be impressed on the input circuit of an amplifier without degrading the signal-to-noise ratio of the system. It is, therefore, of interest to investigate by what means the longitudinal induced noise is converted into a metallic-circuit voltage in order that it may be amplified and appear in the output circuit of the amplifier.

Shielding

The omission of an electrostatic shield from the input transformer of

*Bell Telephone Laboratories
 Murray Hill, N. J.

the receiving equipment is, in general, the greatest single cause of trouble from longitudinal induced noise, especially when the center point of the input circuit is not grounded. Difficulties, in this case, generally will be experienced from longitudinal noise currents. The manner in which the translation from longitudinal to metallic-circuit noise takes place is represented schematically in Fig. 8. It is assumed, for the purposes of illustration, that the impedance to ground of the input equipment and interconnecting circuit is large compared to the impedance to ground of the receiving equipment. The impedance to ground of the amplifier results from the interwinding capacitances of the input

transformer, represented in the diagram as lumped parasitic capacitors C_1 and C_2 . A longitudinal noise current $i_{l/2}$, whose magnitude is determined by the coupling impedance Z_c , flows along the conductors of the circuit to ground through the capacitors C_1 and C_2 . The flow of this current through C_2 causes little difficulty. However, the flow of the longitudinal current through C_1 and the grid-to-ground impedance of the amplifier sets up a metallic-circuit voltage on the grid side of the coil which is amplified and degrades the signal-to-noise ratio of the system.

Figure 8 and its discussion show in fairly simple manner how a longitudinal noise current is converted into a me-

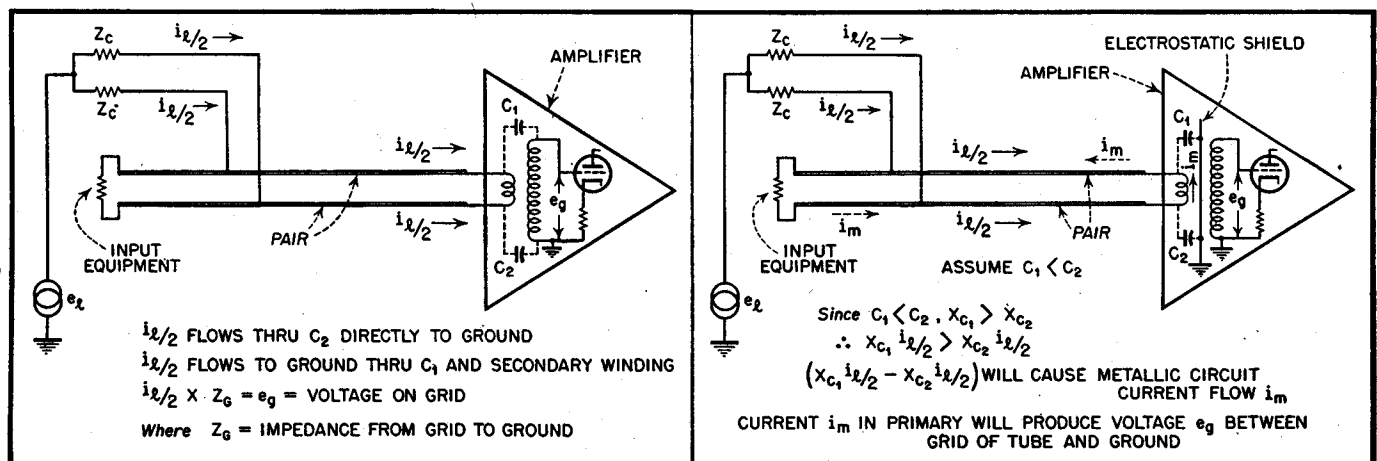


Fig. 8 (left). Conversion of longitudinal current to a metallic circuit voltage by interwinding capacitances in input transformer. Fig. 9 (right). Conversion of longitudinal current to metallic circuit voltage by capacitance unbalance.

tallic-circuit noise voltage and thus becomes a source of noise in an audio system. Whether this noise source is troublesome or not in a particular system depends solely on the magnitude of the longitudinal noise current. The magnitude of the longitudinal noise current is, in turn, determined in part by the size of the coupling impedance Z_c . This example shows the desirability of obtaining a large physical separation between power circuits and the input circuits of audio equipment in order to minimize noise troubles from longitudinal induction.

One method of mitigating difficulties of the type described above is to employ an electrostatic shield in the input transformer of the receiving equipment. Then the disturbing currents will flow down the two conductors to ground through the capacitance between primary winding and shield and will not be able to reach the secondary winding. Note, however, that in order to be effective, the shield must reduce the interwinding capacitances to values so small that only a negligible amount of the longitudinal current flows from the primary to the secondary winding of the transformer.

The introduction of an electrostatic shield in the input transformer of the receiving equipment may greatly reduce the troubles resulting from longitudinal noise, but it does not entirely eliminate them. Another manner in which the longitudinal noise is con-

verted into a metallic circuit voltage is depicted in Fig. 9. The conditions assumed here are the same as those discussed in connection with Fig. 8. An electrostatic shield has, however, been introduced into the input transformer in order to eliminate the capacitance between the primary and secondary windings. Assume that, due to the physical construction of the coil, the capacitances between the ends of the primary winding and the shield are not identical. This condition will always occur, of course, when the primary windings are layer wound over the electrostatic shield so that one end of the winding is at greater physical distance from the shield than the other. For purposes of illustration and analysis, these distributed capacitances have been assumed to be lumped at the terminals of the coil and C_2 is assumed to be larger than C_1 .

Under the assumption that the circuit is subject to a longitudinal noise current, equal longitudinal currents $i_{l/2}$ flow down the conductors of the circuit to ground through the capacitors C_1 and C_2 . Since C_1 does not equal C_2 , and by supposition equal currents flow through them to ground, the potential drops across the capacitors will not be equal. Since the two terminals of the input transformer have different potentials to ground, a potential difference must exist across the primary of the coil. This voltage appears on the secondary side of the transformer as the

grid to ground voltage e_s and it also produces the small primary metallic circuit current i_m . This metallic circuit current is indicated by a dashed arrow in Fig. 9.

Effect of Circuit Balancing

At this point, the question may be raised, "Why not drain the longitudinal current to ground by shorting the center tap of the input coil to ground and thereby eliminate the necessity for an electrostatic shield and also avoid the difficulties due to capacitance unbalances in the input transformer?" Grounding the center point of the input circuit, either at the source or the receiving equipment does, it is true, eliminate most of the troubles resulting from longitudinal noise currents but, under certain conditions, it greatly increases the possibility of noise troubles from longitudinal noise voltages.

The reason for this may be learned from a consideration of Fig. 10, in which it will be assumed that the input circuit of the amplifier is subject to a longitudinal noise voltage. The effect of such a voltage on the circuit is simulated by means of the zero-impedance generator e_s . It is further assumed that the source of excitation is connected to the input circuit by means of an ideal repeating coil, between whose center point and ground the longitudinal voltage is introduced, and that the center tap of the input coil on the receiving equipment is strapped to ground.

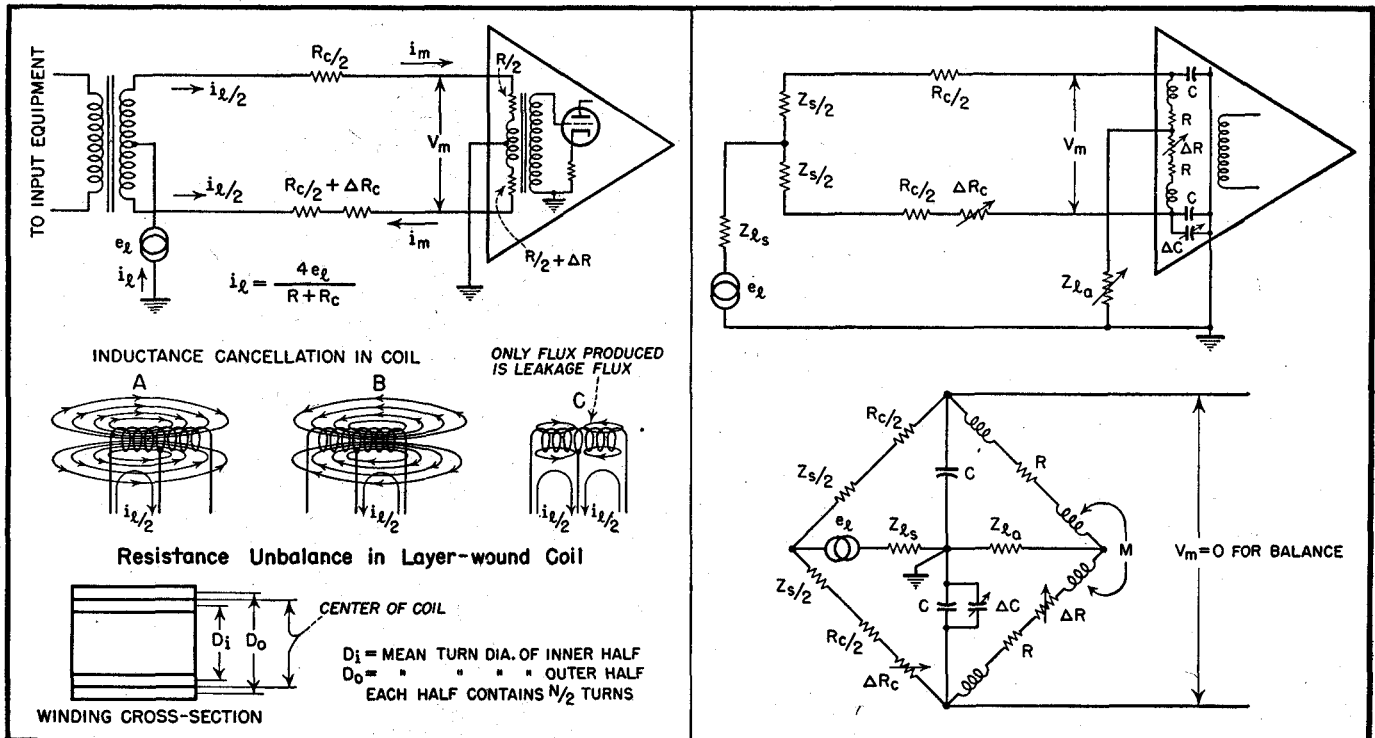


Fig. 10 (left). Conversion of a longitudinal voltage to a metallic circuit current by metallic circuit unbalances. Fig. 11 (right). Circuit elements (above) which may require adjustment to achieve satisfactory equipment performance in the presence of longitudinal noise. Equivalent bridge circuit (below) for analytical purposes.

The longitudinal current produced by the applied voltage is $i_l = 4e_l/(R+R_s)$ in which R_s is the resistance of the conductors of the input circuit and R is the resistance of the primary winding of the input transformer. Note that neither the primary inductance of the input transformer or of the repeating coil, nor the internal input impedance of the amplifier, nor the output impedance of the input equipment appears in this expression. These latter factors cancel out because the longitudinal circuit currents flow in opposing directions to ground through the primary windings of the coils, and hence the associated magnetic fluxes set up by them cancel out, as indicated in *a*, *b*, and *c* of Fig. 10. The impedance, due to the residual leakage flux will, in general, be negligible with respect to the winding resistance in the frequency band of interest, i.e. power frequencies and their important harmonics. The repeating coil has, of course, no leakage by the assumption that it is an ideal transformer.

Consider first the consequences of resistance unbalances only on this cir-

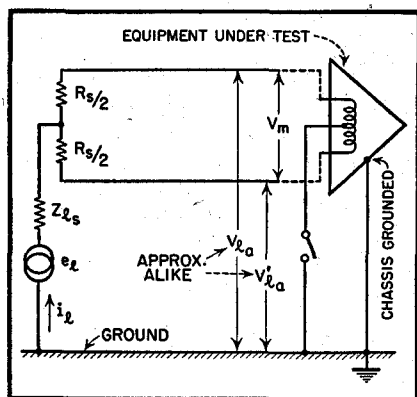


Fig. 12. Test circuit for laboratory evaluation of performance of equipment in the presence of longitudinal voltage or current.

cuit. It is assumed in the illustration that the input transformer is a layer-wound coil, and hence the resistance of its inner winding is less than that of its outer winding. This resistance unbalance in the coil is designated ΔR . It is also assumed that the input conductors are slightly unbalanced, and this conductor resistance unbalance is designated ΔR_s . On the assumption that the unbalances are a small part of their respective resistances, their effect on the circuit may be determined by assuming that equal longitudinal currents $i_l/2$ flow down the two conductors to ground. The flow of these equal currents through resistances which differ slightly in magnitude will produce slightly different potential drops along the two paths to ground. This difference

in the two potential drops will cause a metallic-circuit current i_m to flow in the input circuit of the equipment of the correct magnitude to make the potential drops along the two paths to ground equal. However, the flow of the metallic circuit current i_m , indicated by the dashed arrow in the figure, through the primary winding of the input transformer sets up a voltage V_m across the terminals of the receiving amplifier. This then is another means by which longitudinal noise is converted into metallic-circuit noise.

Impedance Unbalance

The actual means for converting the longitudinal noise voltage into metallic-

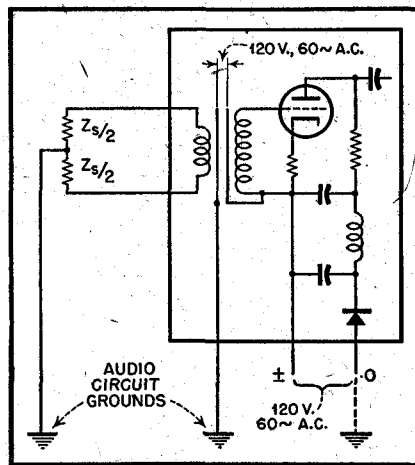


Fig. 13. Analysis of source of noise in an a.c.-d.c. amplifier.

circuit noise, in the general case, is impedance unbalance in the two halves of the input circuit. This impedance unbalance may exist in the input circuit of the receiving equipment, in the connecting pair, or it may originate in the input equipment. Unbalance anywhere in the two halves of the circuit will, under the conditions assumed in Fig. 10, convert part of the longitudinal current into a metallic-circuit current. The remedy which this analysis suggests is to reduce the circuit unbalances and so protect the circuit against longitudinal noise voltages.

The magnitude of the metallic-circuit voltage introduced in the input circuit, under the conditions assumed in Fig. 10, is a function of the magnitude of the longitudinal current. This, therefore, suggests that an alternate remedy in this case is to remove a center tap ground from the circuit in order to reduce the longitudinal current to a negligible quantity and thereby reduce the metallic-current resulting from circuit unbalances. It is thus apparent that the expedient of operating the input circuit of the equipment with a center-point ground is not a general protective measure against longitudinal

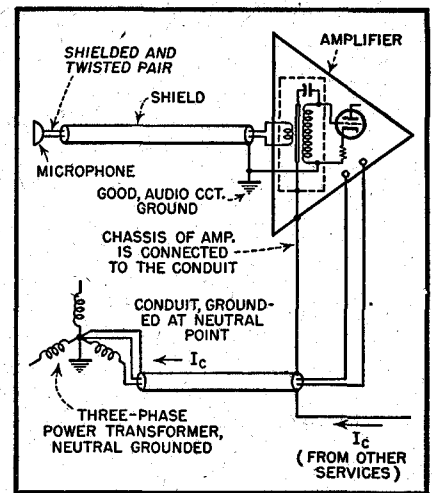


Fig. 14. Multiple grounding method.

noise. The very act of putting center tap grounds on a circuit, while rendering the circuit relatively insensitive to longitudinal noise currents, greatly increases its susceptibility to longitudinal noise voltages. Likewise, operating a circuit without center point grounds makes it relatively insensitive to longitudinal noise voltages and markedly increases its sensitivity to longitudinal noise currents.

In actual conditions of operation, the input circuits of audio systems may be subject simultaneously to both types of longitudinal noise, and the problem is therefore to uncover a general solution that will protect the circuit under both kinds of exposure. The solution, as may have been anticipated, involves the simultaneous adjustment of all the factors discussed so far. The problem which must be solved in a given design may be grasped by a consideration of Fig. 11. The metallic circuit voltage V_m must be reduced to a negligible quantity for two conditions of operation: with Z_l equal to zero, representing the case of a longitudinal noise voltage; and with Z_l large compared with the circuit impedance to ground, representing the case of a longitudinal noise current.

The elements of the circuit which must be adjusted to achieve the desired objective are shown as circuit variables (it is assumed that an electrostatic shield is incorporated in the input transformer in order to eliminate the transformer interwinding capacitances). The circuit of Fig. 11 is also presented schematically in the alternate Wheatstone bridge form. The problem is then to adjust the circuit variables so as to reduce the bridge output to zero in the presence of the longitudinal voltage e_l . The variables which require adjustment are the series circuit impedance unbalances represented in the figure as conductor and coil resistance unbal-

Employment Register

ances, the impedance unbalances to ground of the circuit represented in the figure as capacitances, and the impedance to ground in the center tap circuit of the input transformer.

The entire input circuit of an audio system must be so designed that it will perform in an acceptable manner in the presence of longitudinal noise. In general, this means that appropriate protective measures against longitudinal induction must be incorporated in all the elements of the input circuit, including input equipment and the connecting pair, as well as the receiving equipment. This is true because both the input equipment and the connecting pair can equally well convert the longitudinal noise into metallic-circuit noise. The problem is not restricted to amplifiers alone as longitudinal conversion sources, but is likewise true for microphones, phonograph pickups and all other types of input equipment.

Equipment Limitations

The limitations of a piece of equipment must be understood in order to use it effectively, and these limitations are generally established by suitable test procedures. From the preceding discussion, it is apparent that data is desired, in appropriate form, on the equipment in the presence of both types of longitudinal induction. This means that the test circuit should provide a measure of the effect of the series impedance unbalances of the two halves of the metallic circuit and of their impedance unbalances to ground, and should also reflect the effect of the other factors such as interwinding capacitances that contribute to poor performance in the presence of longitudinal noise. An appropriate test circuit for this purpose is shown in *Fig. 12*.

The test circuit of *Fig. 12* is arranged to impress the longitudinal voltage on the equipment under test via the midpoint of the source impedance for which the equipment was designed. The longitudinal voltage may be impressed through an impedance Z_1 , whose value is dictated either by the conditions of the test or the sensitivity of the instruments used in making the test. Appropriate precautions should be taken to insure that the test circuit is itself not a source of error.

The test circuit is employed to evaluate the performance of the equipment in the presence of a longitudinal voltage and in the presence of a longitudinal current. The performance of the equipment in the presence of a longitudinal voltage is determined by measuring the metallic-circuit voltage V_m and the longitudinal voltage V_{1a} under the condition of minimum — preferably

zero—longitudinal current i . The measurement is therefore made with the center point of the input circuit of the equipment open circuit to ground. The longitudinal voltage suppression of the equipment, under these conditions of operation, is the ratio of V_{1a} to V_m . In decibels, it is $20 \log_{10} V_{1a}/V_m$ and it should be determined over the appropriate frequency band.

The performance of the equipment in the presence of a longitudinal current is determined by measuring the ratio of the metallic circuit voltage V_m to the longitudinal current i under the condition of minimum—preferably zero—longitudinal voltage V_{1a} . This measurement is therefore made with the center point of the input circuit of the equipment shorted to ground. The longitudinal current suppression of the equipment, under these conditions of operations, is the ratio of V_m to i . It is generally expressed as so many microvolts per ampere and should be determined over the appropriate frequency band.

Field vs Test Performance

The correlation between the performance of a piece of equipment when in a test circuit and when installed in the field is often difficult to establish because of the wide range of field operating conditions. This situation is particularly true when it comes to predicting with accuracy, on the basis of laboratory test data, the longitudinal suppression performance of equipment. Hence, in the remainder of this article, some of the limitations and special conditions encountered will be indicated briefly as a guide to the wide range of problems encountered in the practical application of this information. A source of possible discrepancy between predicted and actual performance resides in the fact that lumped noise sources are employed in both the analysis and test circuits, whereas the noise experienced in the field is usually that due to a distributed source. In the case of the interconnecting pair between the sending and receiving equipment, the metallic-circuit impedances and the impedances to ground are, in addition, distributed rather than lumped elements. It generally will be found, however, that a satisfactory correlation between the longitudinal suppression performance of a piece of equipment in a test circuit and in the field can be established when the effect of these factors are correctly evaluated.

Another factor of importance is that in this discussion it has been assumed that the longitudinal noise is introduced into the input circuit between the sending and receiving equipment. However,

[Continued on page 34]

POSITIONS OPEN and AVAILABLE PERSONNEL may be listed here at no charge to industry or to members of the Society. For insertion in this column, brief announcements should be in the hands of the Secretary, Audio Engineering Society, Box F, Oceanside, N. Y., before the fifth of the month preceding the date of issue.

• **Wanted:** E. E., electronics major, with extensive bkgnd in magnetic and audio cct design and acoustical theory and practice. Must have at least 5 yrs exp. in product design on products now being sold nationally. Must be capable of following product from experimental through production, and be responsible for specifications, quality control, field tests, operation and service manuals on product developed. Must be creative and have an exceptionally high degree of mechanical aptitude. State age, education, and qualifications when answering. Location: Minnesota. Box 102.

• **Communications Engineer (MIT)**, 22, single, with good theoretical background and some experience; interested in research, development, or teaching in audio, acoustics, electric circuits, and vacuum-tube circuits. Box 111.

• **Graduate Student** of radio and television desires Junior Engineering position in audio or recording industry. Age 23, married, child. Willing to travel occasionally. Prefer midwest or south. Box 113.

• **Recording Engineer.** Experienced mixer; knowledge of classical music. Knows motion picture and radio mixing techniques. 30, married, presently employed. Graduate of Hollywood Sound Institute. Box 121.

• **Audio Engineer.** Graduate Hollywood Sound Institute, 25, married. Now attending television production school. Desires position with broadcast or recording studio, evenings, N.Y.C. Free to travel for full-time position. Box 122.

• **Graduate:** Advanced Technology course at RCA Institutes, 26, married, with knowledge of music, desires position in audio field; salary secondary. Box 101.

• **Audio Engineer:** M.S. Physics, Electrical Engr; ten years research, development, design experience with sound recording, acoustic measurements, and transducers. Thorough bkgnd in magnetic and mechanical recording including magnetic recording systems for computer applications. Presently employed, prefer firm in which could invest capital, small city or suburban location. Box 201.

• **Graduate VTI:** employed at present. Desires position in audio field. Some experience. Age 20, single, and in good health. Willing to learn, and will go anywhere. Box 202.

• **Audio Engineer:** experienced man with family desires position in recording, broadcasting, film, or TV sound. Excellent operator, troubleshooter, and maintenance man. Superior knowledge of classical music. Studio and equipment design and construction experience. Fluent English, French, and German. Willing to relocate. Box 203.

LONGITUDINAL NOISE

[from page 21]

it often happens that the noise is introduced, by means so far not considered, at other points of the circuit. A well known illustration and one which presents many design difficulties is that of an a.c.-d.c. amplifier operated on a.c. In this case, the amplifier itself is the source of the noise. This is true because the secondary side of the input transformer is directly connected to the a.c. power circuit. Poling of the power plug on the amplifier cannot be relied upon to reduce its noise, because in many areas the so-called low side of the power circuit has a substantial voltage to ground. In addition, this voltage often includes substantial amounts of the higher harmonic and therefore the more disturbing components of the power supply frequency.

The problem in designing a universal a.c.-d.c. amplifier is thus to make a unit with acceptable performance for either polarity of the a.c. power supply. This means that the signal-to-noise ratio of the amplifier must be acceptable when the full power circuit voltage is impressed between the windings of the transformer in the manner shown in *Fig. 13*. One method of solving this problem is by the use of two separate electrostatic shields. One shield encloses the secondary winding and is connected to the low side of this winding. The other shield encloses the primary winding and is connected to the audio circuit ground associated with the input circuit. This arrangement virtually eliminates the parasitic coupling capacitances between the primary and secondary windings of the transformer and thus substantially eliminates the flow of the longitudinal current through the transformer windings from this cause. It also eliminates the flow of the longitudinal current from winding to its associated shield since each winding is at its shield potential, from a longitudinal circuit point of view, by virtue of the connection between them. The longitudinal current flow is thus from one shield to the other, but this current flow will not degrade the signal-to-noise ratio of the amplifier.

Multiple Grounds

Another manner in which longitudinal noise may be introduced in a system at a point other than the interconnecting pair is depicted in *Fig. 14*. In this case, it is assumed that the panel and circuit grounds on the amplifier have been separated for utmost flexibility in application. It is further assumed that on installation the circuit ground has

been connected to a quiet audio ground, but that the panel has been connected to the conduit of the power circuit. It is assumed, in addition, that the secondary winding of the input transformer has appreciable capacitance to its case and core which are electrically connected to the amplifier panel. Substantial currents originating from external sources are presumed to be returning to ground via the conduit. This condition sets up a potential difference between the amplifier panel and the audio circuit ground and causes noise currents to flow from the conduit to the audio ground via the secondary winding of the transformer and its associated capacitance to core and case. This noise current introduces a voltage into the equipment on the grid side of the input transformer. Installations in which transients on the power circuit appear in the output of the system may be subject to noise trouble of this type. This difficulty may be eliminated by employing the audio circuit ground for both panel and circuit ground purposes.

Summarizing, then, there are two general means by which longitudinal noise is introduced in a circuit, one of high internal impedance so that the noise has the characteristics of a constant current introduced into the circuit, the other of substantially zero internal impedance so that the noise has the characteristics of a constant voltage introduced into the circuit. It has also been shown that these two types of induced noise affect a circuit in different manners and therefore require widely different treatment to avoid their unwanted effect on a circuit. Superficial remedies to render a circuit insensitive to longitudinal noise are as apt to increase the difficulty as to mitigate it because of the diverse character of its two types. However, as outlined in this article, once the nature of longitudinal noise induction is understood, it is as amenable to reduction of its disturbing effects as many of the other sources of noise with which the audio engineer must contend.